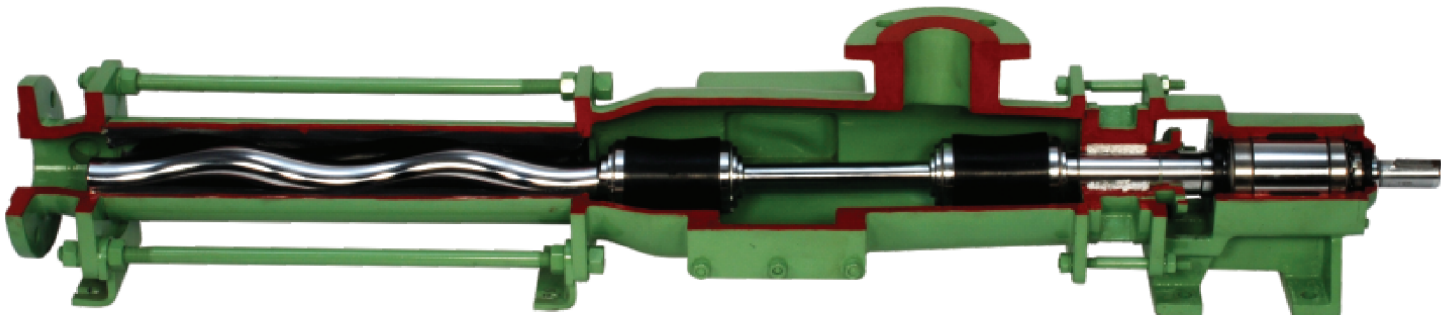
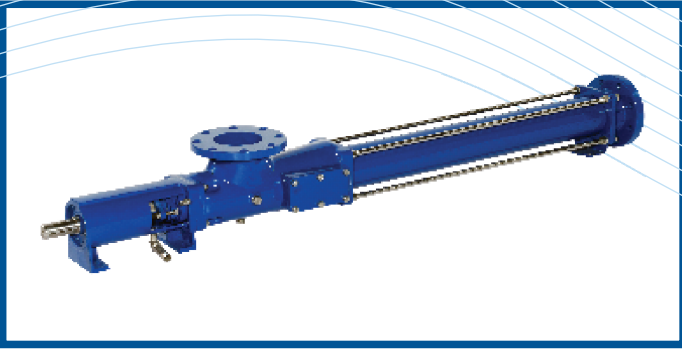
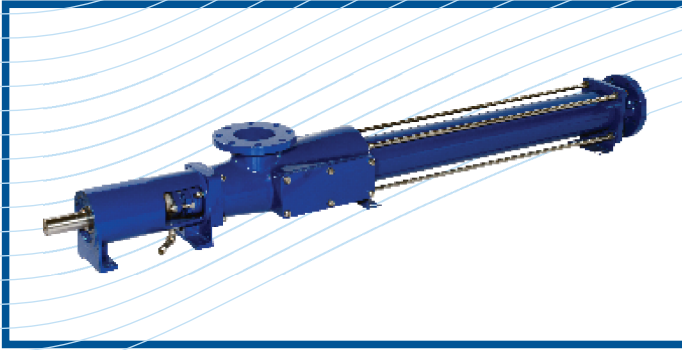
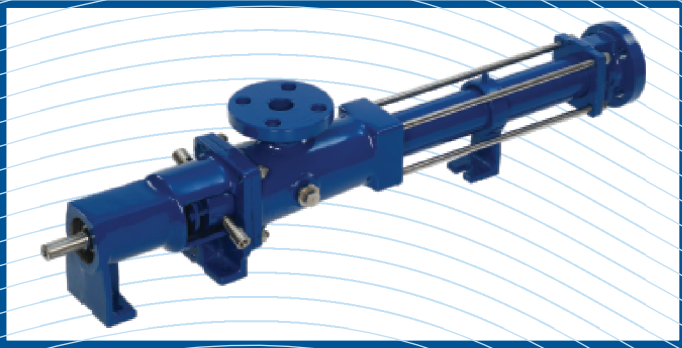
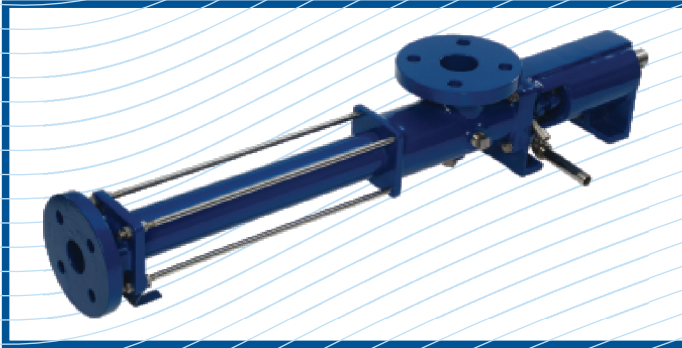
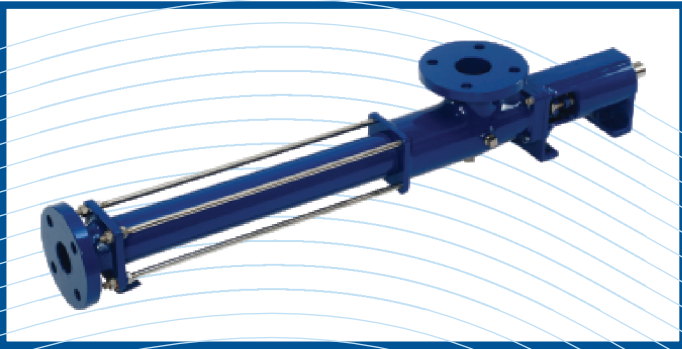
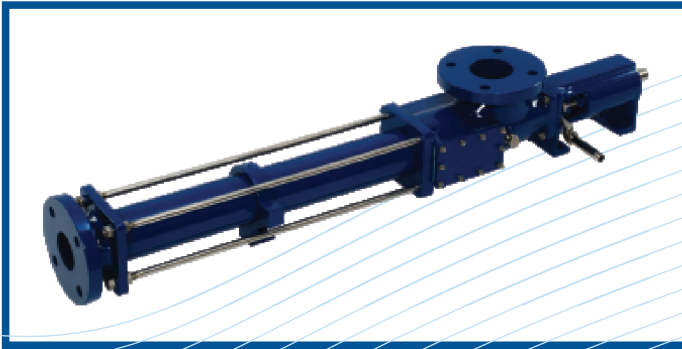


HYDRO PROKAV PUMPS

(INDIA) PRIVATE LIMITED



HYDRO PROKAV PUMPS KYM SERIES PC PUMPS

FIELDS OF APPLICATION



Hydro Prokav progressive cavity pumps are compact, rugged and powerful. They are available in different power classes and material of construction. They prove their value world-wide in public and industrial waste water treatment and waste disposal. They provide optimum solutions for transferring fluids in the chemical and petrochemical industry, the food industry, the cosmetics industry, the paper industry, in civil engineering, mining, industrial processing and everywhere where the conveyed product is too viscous and with too poor flowing properties to be pumped by other pumps.

ADVANTAGES FOR THE USER:

- Suitable for application.
- Gentle conveying.
- Continuous pulsation free transfer.
- Capable of metering.
- Rugged and long-life.
- Pump executions according, customer specifications.
- individual shaft sealing.

ADVANTAGES OF THE PRODUCT:

- Suitable for application anywhere
- Suction lift up to 8,5 m (25 feet)
- Flow rate up to 300 m³/h (1400 gpm)
- Pressure up to 36 bar
- Viscosity up to 1.000.000 mm²/s
- Solid particle size <75 mm (3'')
- Media temperatures up to 180°C (360°F)

Principle of operation:

Hydro Prokav pumps are self-priming positive displacement pumps. They consist of two elements: the rotating eccentric screw and the fixed stator. The medium is conveyed with low pulsation and turbulence. In the conveying of abrasive media an advantage is achieved by the flexible choice of materials for the rotor and stator.

The flow rate is proportional to the speed of rotation. Increasing the number of stages raises the pump pressure proportionally. The design allows pumping in both directions, a high suction lift and gentle conveying. Due to the numerous combinations of materials for the rotor and the stator and the gentle conveying with extremely low shear forces, the progressive cavity pumps are also highly suitable for measuring and metering tasks.

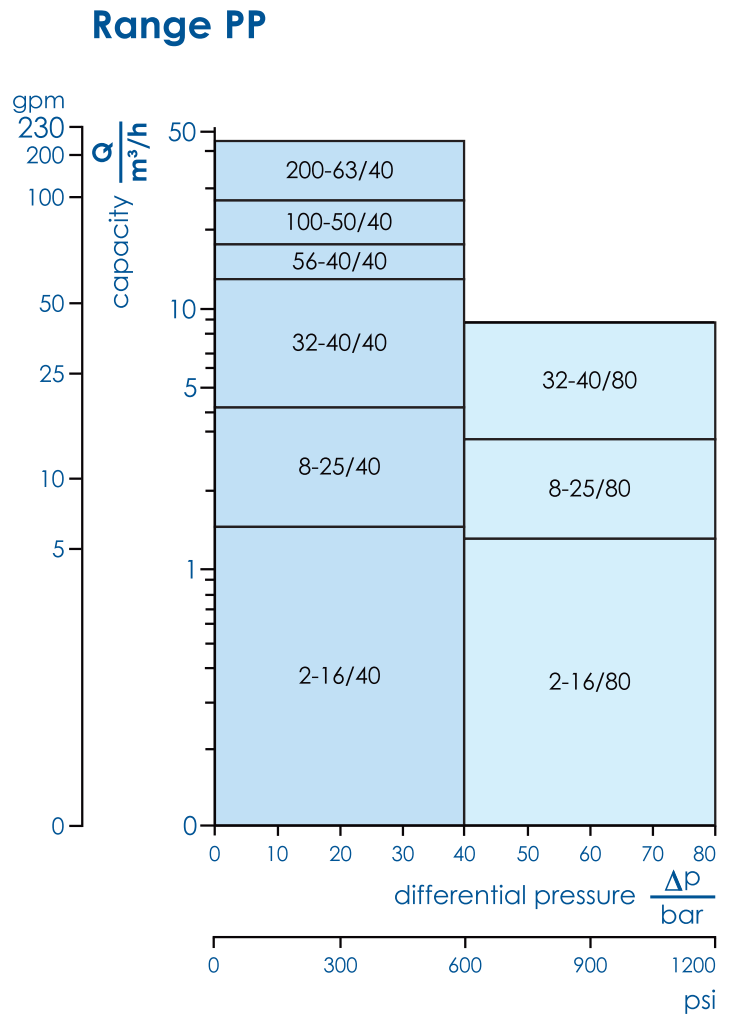
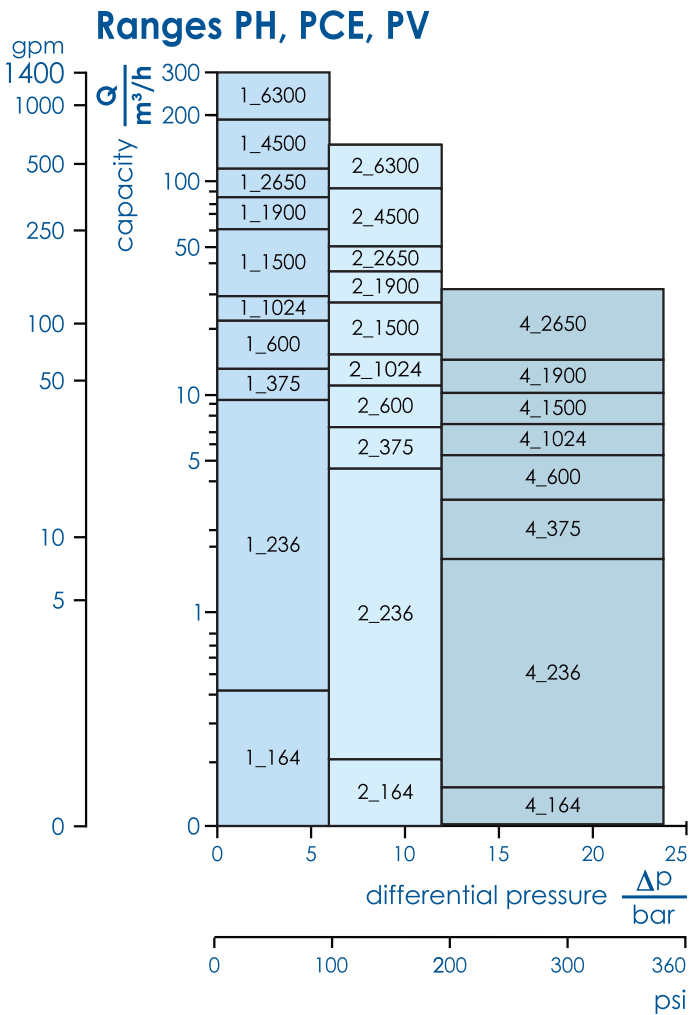
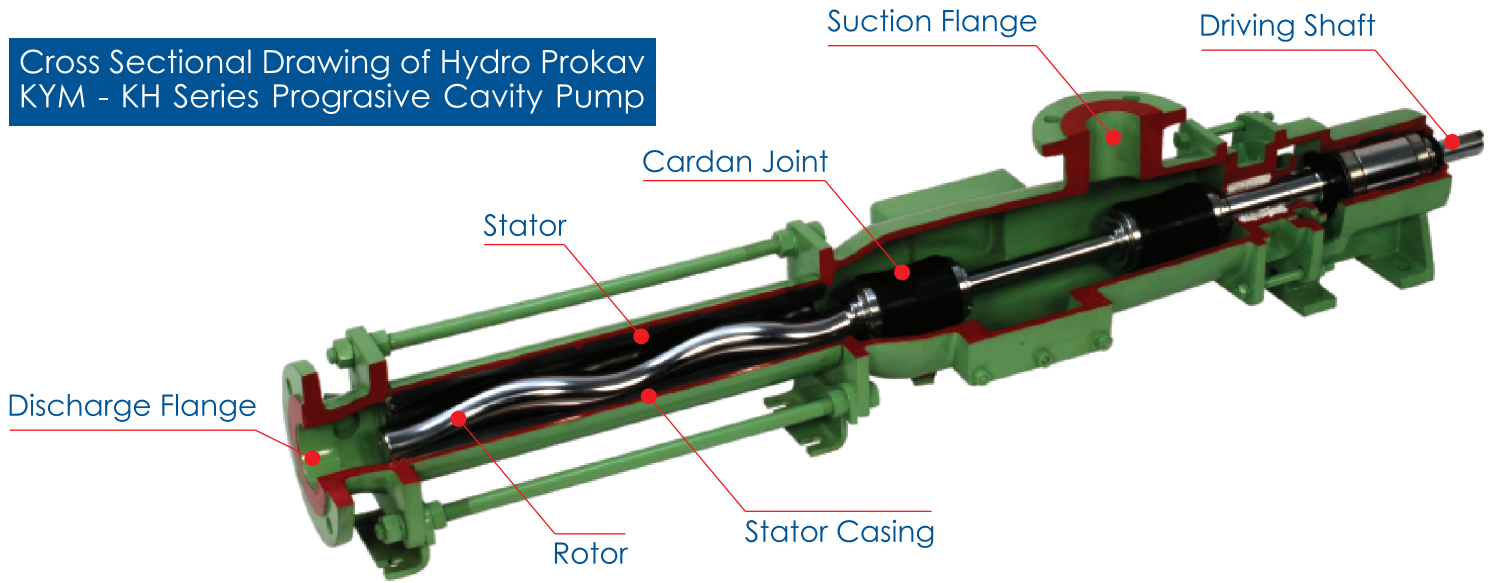
Technical data:

Various materials are available to adapt the pump optimally to the medium.

Pump casing	GG-25 1.4408 CF8M (1.4581) WCB 1.4571 Steel St. 37 1.4462 / AFSI S3 1803
Rotor	C 45 hcp Tool Steel 1.4571 SS 316 1.4462
Shaft	1.4021 Carbon Steel 1.4571 SS 316 1.4462
Stator	Buna (SBR) Perbunan (NBR) Perbunan, white (NBR) Therban (HNBR) Viton® (FPM) Butyl-rubber (IIR) Hypalon (CSM) EPDM-rubber (EPDM)



Cross Sectional Drawing of Hydro Prokav KYM - KH Series Prograsive Cavity Pump



KYM - KH PRODUCT RANGES

Series PV : These pumps are exclusively installed vertically and are employed to convey thin or highly viscous media with or without solid or fibrous components. The pumps are installed directly above the pits or tanks or on a wall to be emptied. This series is employed in all branches of industry.

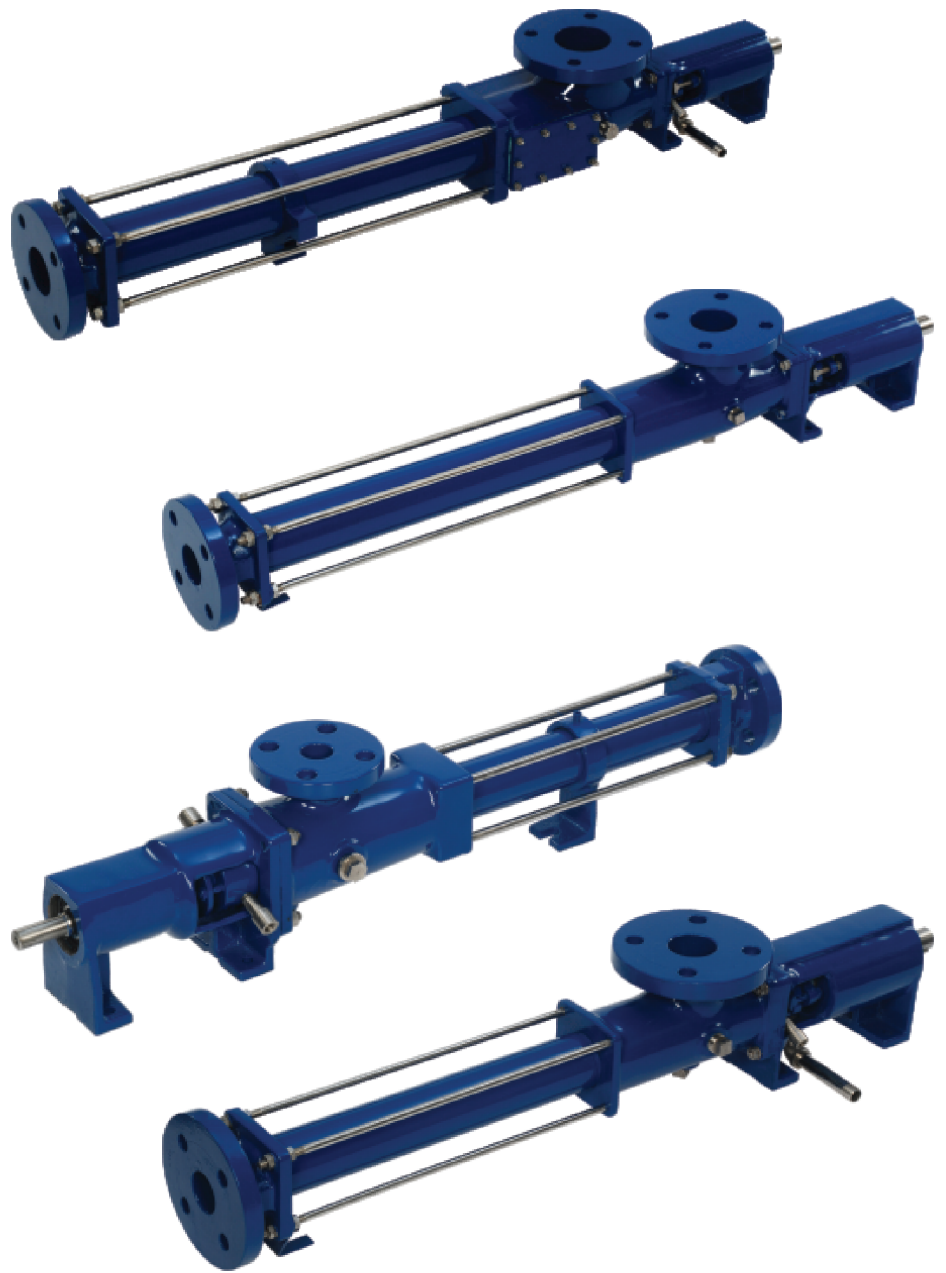
The PV series is available with one stage 6 bar (90 PSI) or two stages 12 bar (180 PSI).

Series PH : Horizontal pump with flange connection for industrial and waste water applications, suitable for thin and thick, neutral or aggressive media with or without solid or fibrous components. The pump can be employed with any drive. The standard conveying rate of the PH series is up to 300 m³/h (1400 GPM).

The PH series is available with one stage 6 bar (90 PSI), two stages 12 bar (180 PSI) and four stages 24 bar (350 PSI).

Series PCE : In this series, the pump is connected directly to the driving machine by a special drive shaft and a motor stand. The motor stand is also the base of the pump. This design has the following advantages: Short length, low weight and no separate baseplate.

The PCE series is available with one stage 6 bar (90 PSI) or two stages 12 bar (180 PSI).



THE PROKAV'S EXPERTISE

Hydro Prokav's New Integrated Manufacturing Plant Located at the Industrial City of Coimbatore, India is spread over 25,000 Sq. Mts. The Plant comprises of Full Fledged Rubber Unit with Test Labs. The Modern Plant also comprising Highly Sophisticated CNC Machining Unit for manufacturing Critical components of Progressive Cavity Pumps with High Precision and Excellence. The Computerised Test Bed Facility Doubly ensures High Standards of Testing and Performance Evaluation. Backed up with a very Sophisticated R&D center, Hydro Prokav aims at bringing more Versatile Designs to suit the entire demands of the Processing Industries.

Hydro Prokav Progressive Cavity Pumps are preferred by Customers spread across 40 countries World Wide with more than 10,000 customers catering to more than 15,000 fluids offering the finest solution for their various Pumping Requirements.

Hydro Prokav Genuine Progressive Cavity Pumps are available through a wide network of Branches in all Major Cities in India, with Marketing Office situated at USA, Canada, and Distributors and Dealers spread in Europe, Africa, Middle East, Australia and South East Asian countries.



HYDRO PROKAV PUMPS (INDIA) PVT. LTD.,

Marketing Head Office

S.F. No. 170/2, 170/3, Private Industrial Estate, SIDCO,
Coimbatore - 641 021. Tamil Nadu. INDIA

Phone : +91-422-4301900. Fax : +91-422-2679476

E-mail : sgiri@hppumps.com URL : www.hppumps.com