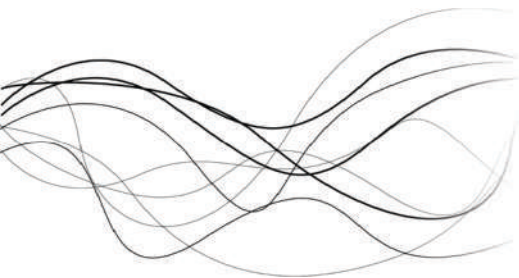




HYDRO PROKAV
PUMPS INDIA
PRIVATE LIMITED



HYGIENE SANITARY
DESIGN PUMPS
KXVF SERIES



VERTICAL & BARREL EMPTYING PUMPS



www.hppumps.com

FLUIDS HANDLED

- FRUIT PULP
- GREASE
- HOT CHOCOLATE
- JELLIES
- LIQUID GLUCOSE
- LIQUID SOAP
- OILS
- PETROCHEMICALS
- SYRUP
- YEAST

USER INDUSTRIES

- AUTOMOBILE
- BREWERIES
- CHEMICALS
- CONFECTIONERY
- FOOD PROCESSING
- MALT & COCOA
- PAINT
- PHARMACEUTICALS
- PRINTING INKS
- VARNISH

VERTICAL & BARREL EMPTYING PUMPS



Pumping Capacity : upto 250 m³/hr
Pressure Heads : single stage upto 6 bars double stage upto 12 bars

PUMPING PRINCIPLE

Hydro Prokav's Pumping Principle involves the use of a precision-manufactured Metallic Single Helical Rotor which turns inside a double Internal Helical Resilient Stator. It therefore forms cavities confined by a 'Sealing Line'. The sealing line is maintained when standstill, as well as in motion. The cavity created between the rotor and the stator during rotation moves from suction to delivery side, carrying the medium safely.

CHARACTERISTICS AND FEATURES

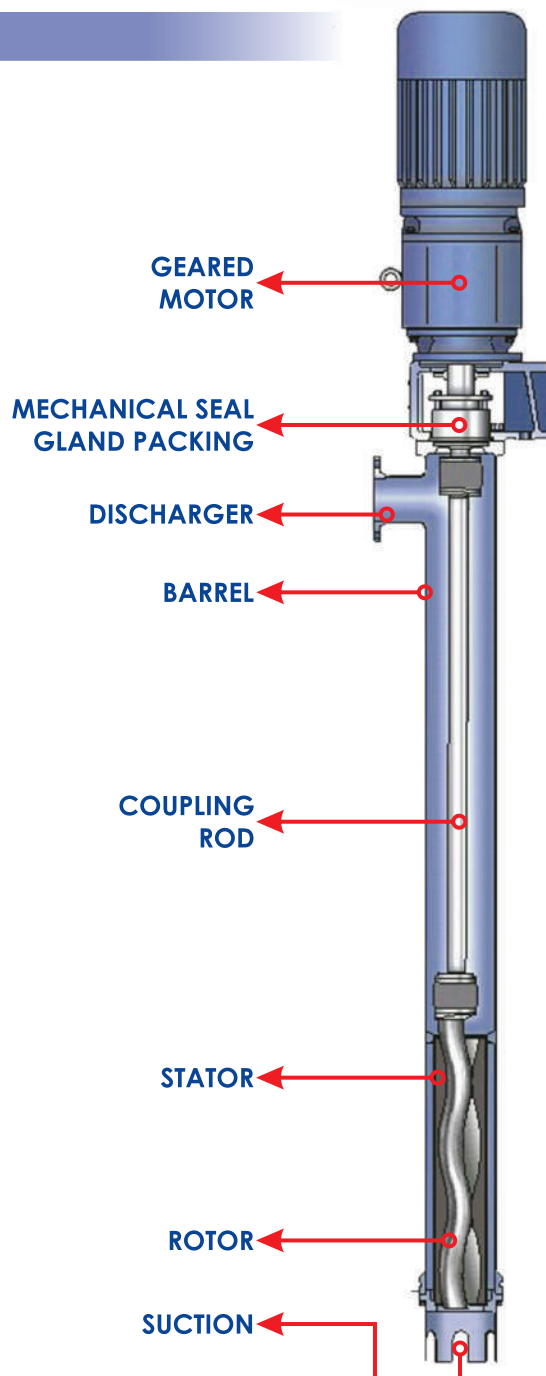
- Suitable for all media of aqueous to extremely viscous consistency, also with solid or fibrous substances.
- Driven by electric motors : three phase a.c. motors, geared motor - also with explosion proof enclosure.
- Constant or variable delivery, therefore also suitable for dispensing.
- Construction in steel, special steel or plastic.
- Temperature range upto about 150°C.
- Simple construction.
- Easy to use.
- Gentle treatment of the medium.

CONSTRUCTION FEATURES

- Sleek Design - Smaller pumps can be inserted in a barrel.
- Various-options in joints such as Double sealed bush and pin, open bush/pin, etc.
- Delivery opening - can be provided with a flange, IDF or suitable connection

MATERIAL OPTIONS

- Rotor** : Alloy Steel, Tool Steel, Stainless Steel; Alloy20, Hastelloy and Monel.
- Stator** : Nitrile rubber, EPDM, Neoprene, Hypalon, Silicon, Butyl, Viton, etc.
- Casing** : Steel, Stainless Steel and Special Alloys.
- Shaft Sealing** : Soft Gland packing, Single / Double Mechanical Seal.



HYDRO PROKAV PUMPS (INDIA) PVT. LTD.,

Pumping Solution for all Industrial Needs

H.O. & Works : S.F. No. 170/2, 170/3, Private Industrial Estate, SIDCO,
Coimbatore - 641 021. Tamil Nadu. INDIA

Phone : +91 - 422 - 4301900.

E-mail : sgiri@hppumps.com | priya@hppumps.com | ssridhar@hppumps.com

URL : www.hppumps.com