



Positive Displacement Rotary Twin gear Pumps type  
KERN Series for Pumping & Transfer of all Kind of Viscous  
Liquid & Petroleum Products

## KERN SERIES



From ½" to 6" NB Size (Flanged to ASA 150 Class )  
Capacity, From : 0.5 to 200 M<sup>3</sup>/hr, Pres-up to 12 Kg./Cm<sup>2</sup>  
Viscosity up to 1,00,000 - cst , Temperature - up to 110° C

## FEATURES

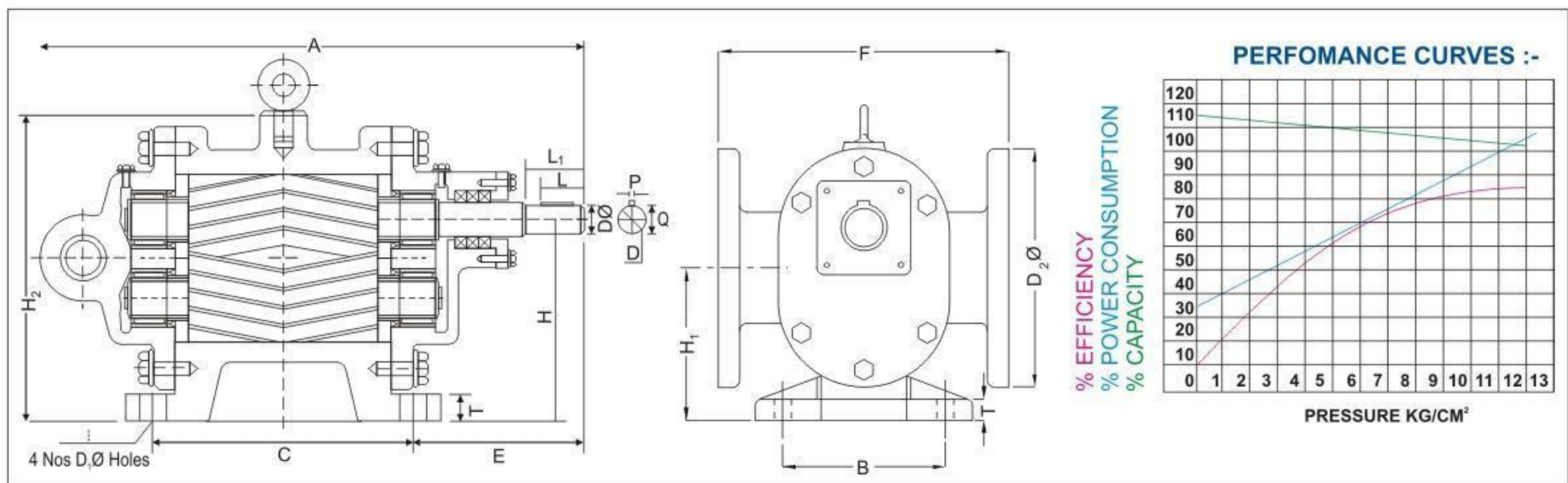
- Herringbone rotors design eliminates side thrust
- Modified tooth profile enhances the tooth life
- Floating gear-design ensures uniform load distribution
- Low-leakage path by design improve volumetric efficiency
- Extra thick shaft reduces bending effectively



MODEL	SIZE	SPEED	CAPACITY			HORSE POWER & CAPACITY CHART								PUMP WT.	
			LPM	US GPM	M3/hr	'X' 1	2	3	4	5	7	8	10		12
050-S	½" X ½"	1440 RPM	8.30	2.20	0.50	0.20	0.23	0.27	0.30	0.32	0.36	0.38	0.43	0.47	8.0
050-M			16.60	4.40	1.00	0.24	0.28	0.32	0.36	0.40	0.48	0.52	0.60	0.68	
050-L			25.00	6.60	1.50	0.30	0.36	0.41	0.47	0.52	0.63	0.70	0.81	0.93	
100-S	1" X 1"		33.30	8.80	2.00	0.37	0.45	0.54	0.62	0.69	0.85	0.92	1.09	1.25	14.0
100-M			41.50	11.00	2.50	0.38	0.48	0.57	0.65	0.76	0.95	1.08	1.23	1.41	
100-L			50.00	13.20	3.00	0.40	0.50	0.60	0.75	0.89	1.17	1.30	1.59	1.85	
150-S	1½" X 1½"		83.30	22.00	5.00	0.70	1.00	1.20	1.40	1.50	1.95	2.15	2.55	2.95	22.5
150-M			100.00	27.60	6.00	0.85	1.10	1.35	1.55	1.77	2.22	2.45	2.90	3.45	
150-L			125.00	33.30	7.50	1.05	1.45	1.95	2.10	2.40	2.95	3.25	4.00	4.90	
200-S	2" X 2"		150.00	39.00	9.00	1.35	1.80	2.45	3.0	3.50	4.50	5.25	6.35	7.60	28.0
200-L			200.00	52.80	12.00	1.80	2.40	2.95	3.50	4.05	5.15	5.70	6.90	8.10	
250-S			250.00	66.00	15.00	2.00	2.50	3.20	3.75	4.30	5.60	6.20	7.70	9.50	
250-L	2½" X 2½"	333.00	88.00	20.00	3.80	4.65	5.50	6.35	7.25	9.05	10.50	12.20	14.35	43.0	
300-S		415.00	105.00	25.00	5.00	6.00	7.00	8.00	9.00	11.00	12.00	14.25	16.50		
300-L		500.00	132.00	30.00	6.00	7.35	8.65	10.15	11.45	14.05	15.40	17.90	21.00		
400-S	4" X 4"	666.60	176.00	40.00	8.85	10.50	12.00	13.65	16.25	18.25	20.00	22.00	25.50	59.0	
400-L		833.30	220.00	50.00	9.50	11.50	14.00	16.00	18.00	22.50	25.00	30.00	35.50		
500-S		1000.00	264.00	60.00	14.50	17.20	19.00	22.00	24.80	30.00	32.40	37.20	42.50		
500-L	5" X 5"	1250.00	330.00	75.00	17.50	20.50	23.50	27.00	30.50	36.50	40.00	46.00	53.00	82.0	
600-S		1660.00	440.00	100.00	21.50	25.55	30.00	34.55	40.00	48.85	52.90	62.00	72.00		
600-L		2083.00	550.00	125.00	25.50	31.00	36.00	41.50	46.50	57.00	63.00	72.00	81.00		
601-S	6" X 6"	2499.00	660.00	150.00	38.00	43.00	48.00	54.00	60.00	70.00	75.00	87.00	96.00	175.0	
601-L		3332.00	880.00	200.00	50.00	57.00	64.00	72.00	79.00	93.00	100.00	115.00	127.00		

PARTS LIST WITH MATERIAL OF CONSTRUCTION			
Sr.	ITEM	QTY.	MATERIAL
1	PUMP CASING	1	CI/CS/SS
2	FRONT COVER	1	CI/CS/SS
3	BACK COVER	1	CI/CS/SS
4	GLAND COVER	1	CI/CS/SS
5	ROTOR SHAFT	1	SAE8620/EN31/SS
6	STATOR SHAFT	1	SAE8620/EN31/SS
7	IMPELLER GEAR	1	EN-24/SS
8	NEEDLE BRG.	1	NTN/IKO/NRB
9	WEAR PLATE	1	BRONZE/CI
10	LIFTING HOOK	1	STEEL
11	R.V. HOUSING	1	MAL. IRON
12	R.V. PISTON	1	EN-8/SS
13	R.V. SPRING	1	SPR. ST.
14	R.V. AD. SCREW	1	EN-8/SS
15	BASE PLATE	1	M.S.
16	COUP. GUARD	1	ALUMN/MS
17	COUPLING	1	FLEXIBLE
18	COUP. KEY	1	EN-8/SS
19	SEALING SYS.	2	OS/MS/GP
20	DOWEL PIN	4	EN31
21	COMP. FLANGE	2	MS/SS
22	H/T HEX-BOLT	12	EN-8/SS

POWER CONSUMPTION IS AT 300 CSP VISCOSITY. IT WILL INCREASE AT 10% FOR EVERY 300 CSP INCREASE IN VISCOSITY.



## DIMENSIONS

MODEL	OVERALL DIMENSIONS			MOUNTING DIMENSIONS						FLANGE DIMENSIONS				SHAFT DIMENSIONS				
	A	F	H <sub>2</sub>	B	C	E	H	H <sub>2</sub>	D <sub>2</sub> Ø	No. OF HOLE	D <sub>2</sub> Ø	HOLE SIZE	P.C.D	L	L1	DØ	F	Q
KERB/N 050 S-M-L	239	150	110	80	100	91	80	69.0	8	4	89	16	60	22	30	11.5	4	13.0
KERB/N 100 S-M-L	271	160	130	90	110	100	90	74.0	10	4	108	16	79	25	30	15.0	5	17.0
KERB/N 150 S-M-L	318	180	145	105	130	119	100	80.0	10	4	127	16	98	25	40	21.0	6	23.5
KERB-200-S-L	359	200	165	110	150	133	112	89.5	12	4	152	19	121	40	50	24.0	8	27.0
KERB-250-S-L	419	220	190	130	160	163	132	106.0	15	4	178	19	140	40	55	27.0	8	30.0
KERB-300-S-L	481	240	220	160	220	168	160	131.0	18	4	190	19	152	53	60	32.0	10	35.0
KERB-400-S-L	554	280	255	180	270	189	180	145.0	18	8	229	19	190	53	65	37.0	10	40.0
KERB-500-S-L	615	295	280	200	300	215	200	160.0	19	8	254	22	216	60	85	47.0	14	50.5
KERB-600-S-L	690	340	318	220	350	215	225	178.0	20	8	279	22	241	70	95	52.0	16	56.0
KERB-601-S-L	749	380	357	240	380	230	250	200.0	22	8	279	22	241	70	100	57.0	16	61.0



# HYDRO PROKAV PUMPS (INDIA) PRIVATE LIMITED

AN ISO - 9001 COMPANY

MARKETING HEAD OFFICE

S.F.No. 170/2 & 170/3, Private Industrial Estate, Sidco,  
Coimbatore - 640 021 Tamilnadu, INDIA.  
Phone : +91 422 3242220, 2979624 Telefax : +91 422 2679476  
e-mail : hydroprokav@vsnl.net URI : www.hppumps.com

